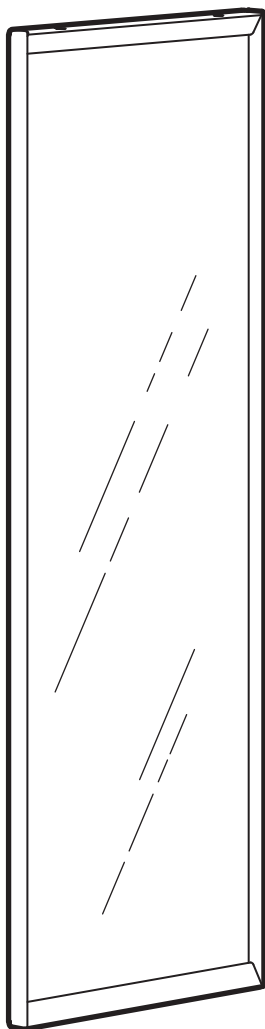
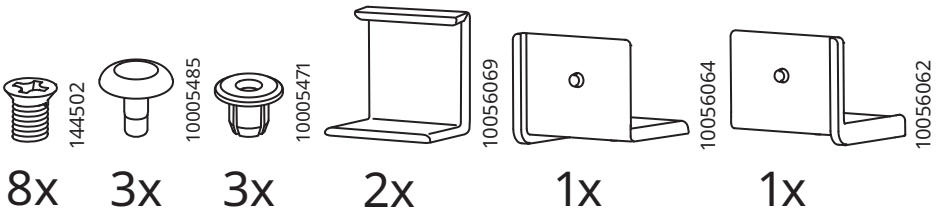
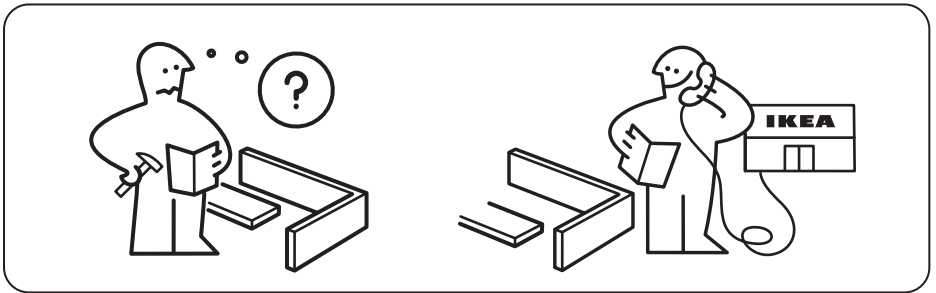
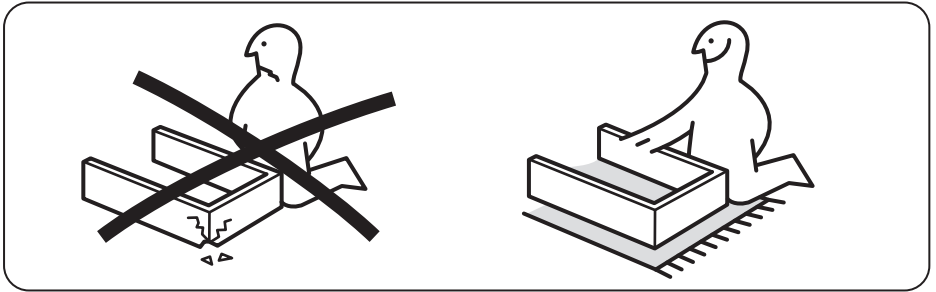
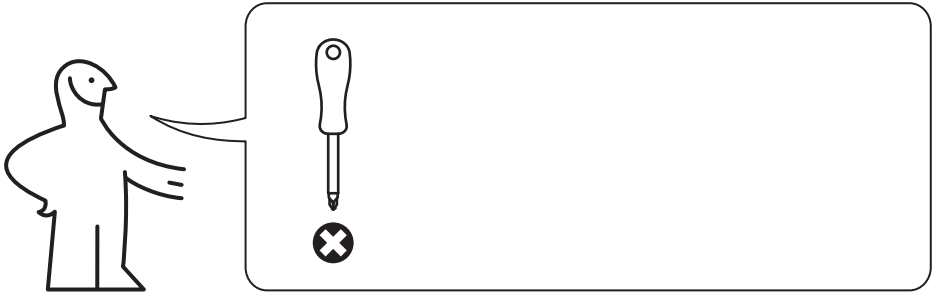


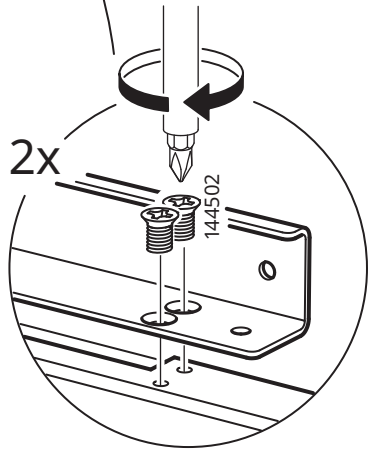
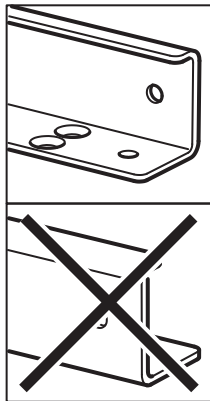
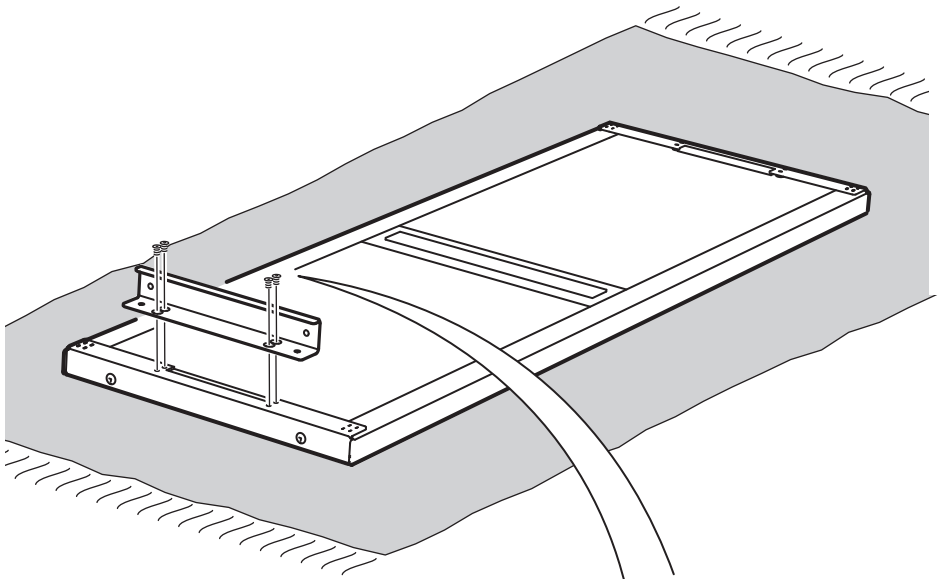
ENHET



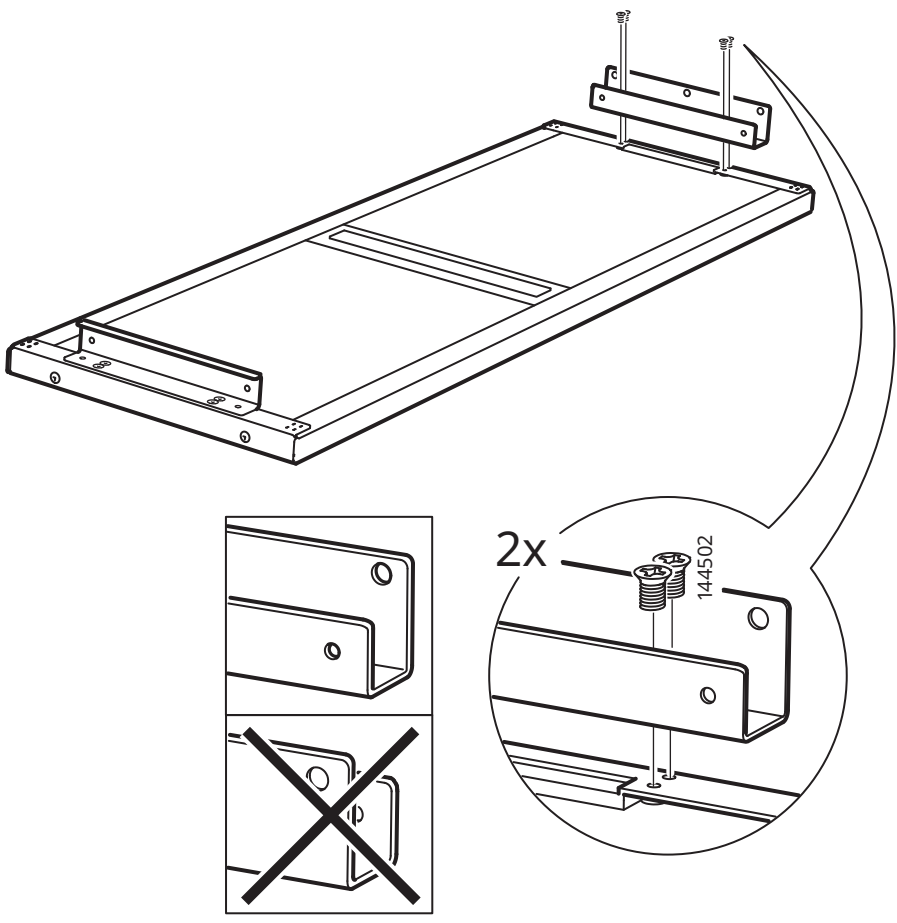
Design and Quality
IKEA of Sweden



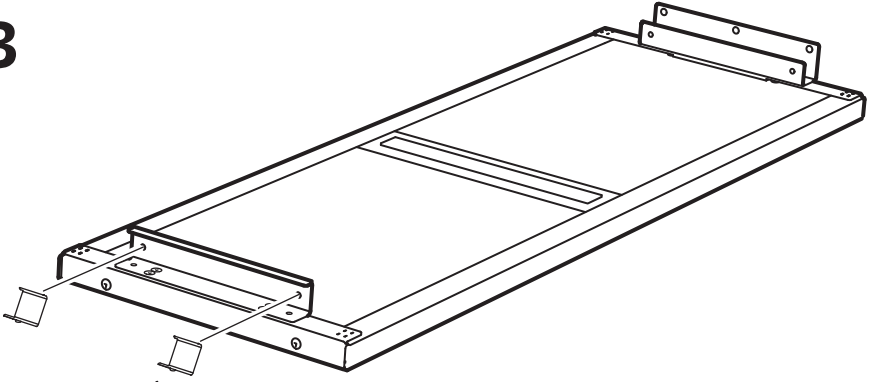
1



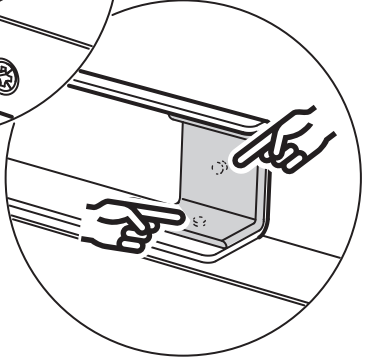
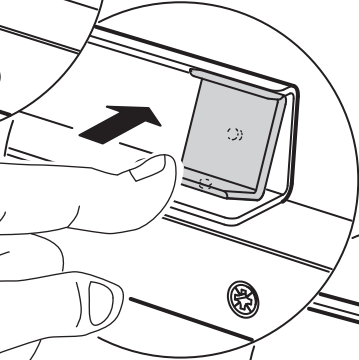
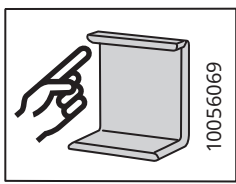
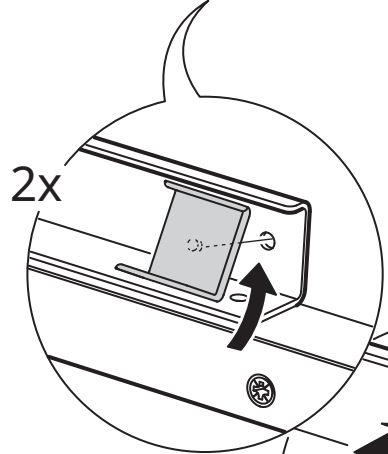
2



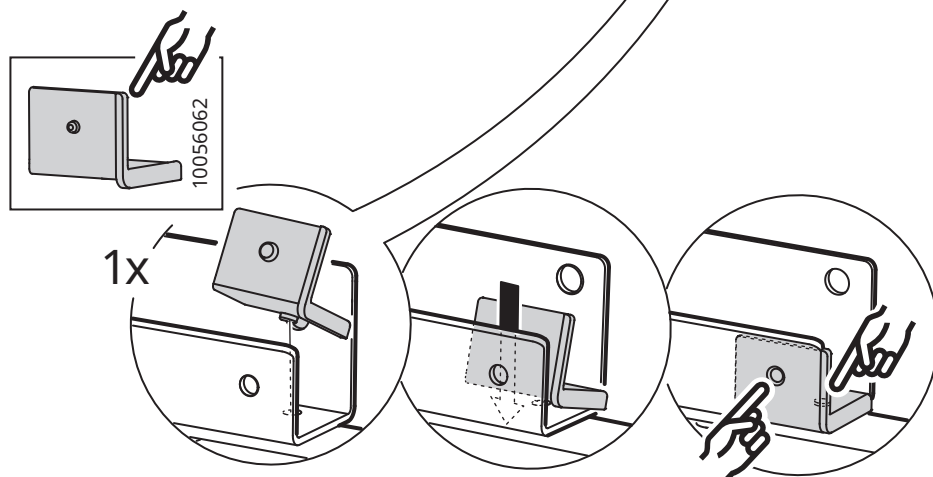
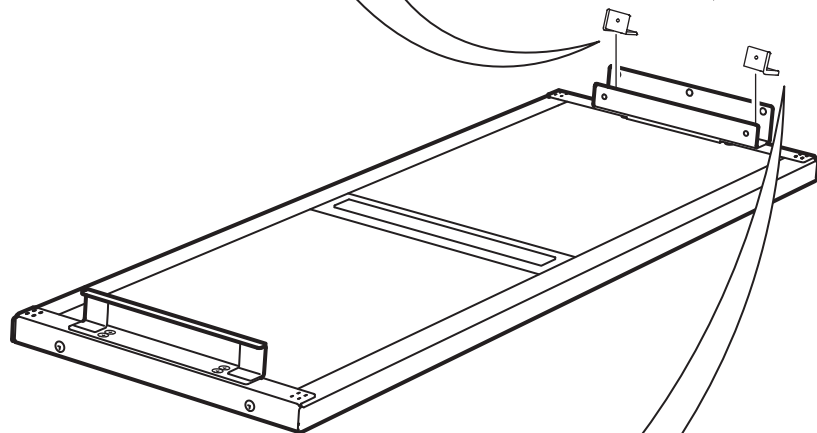
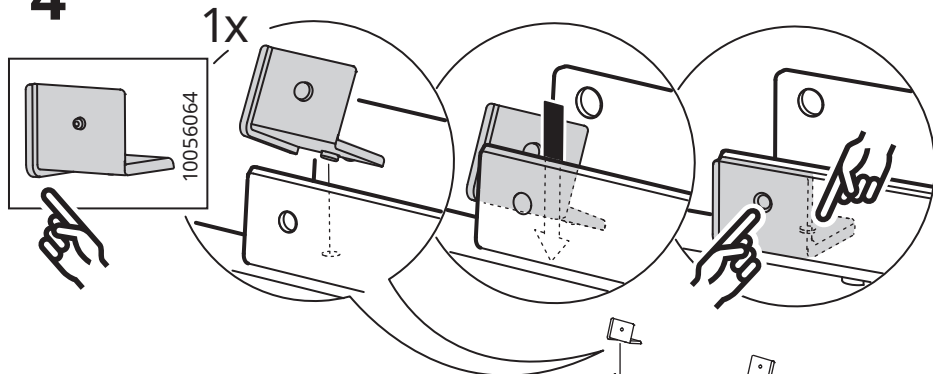
3



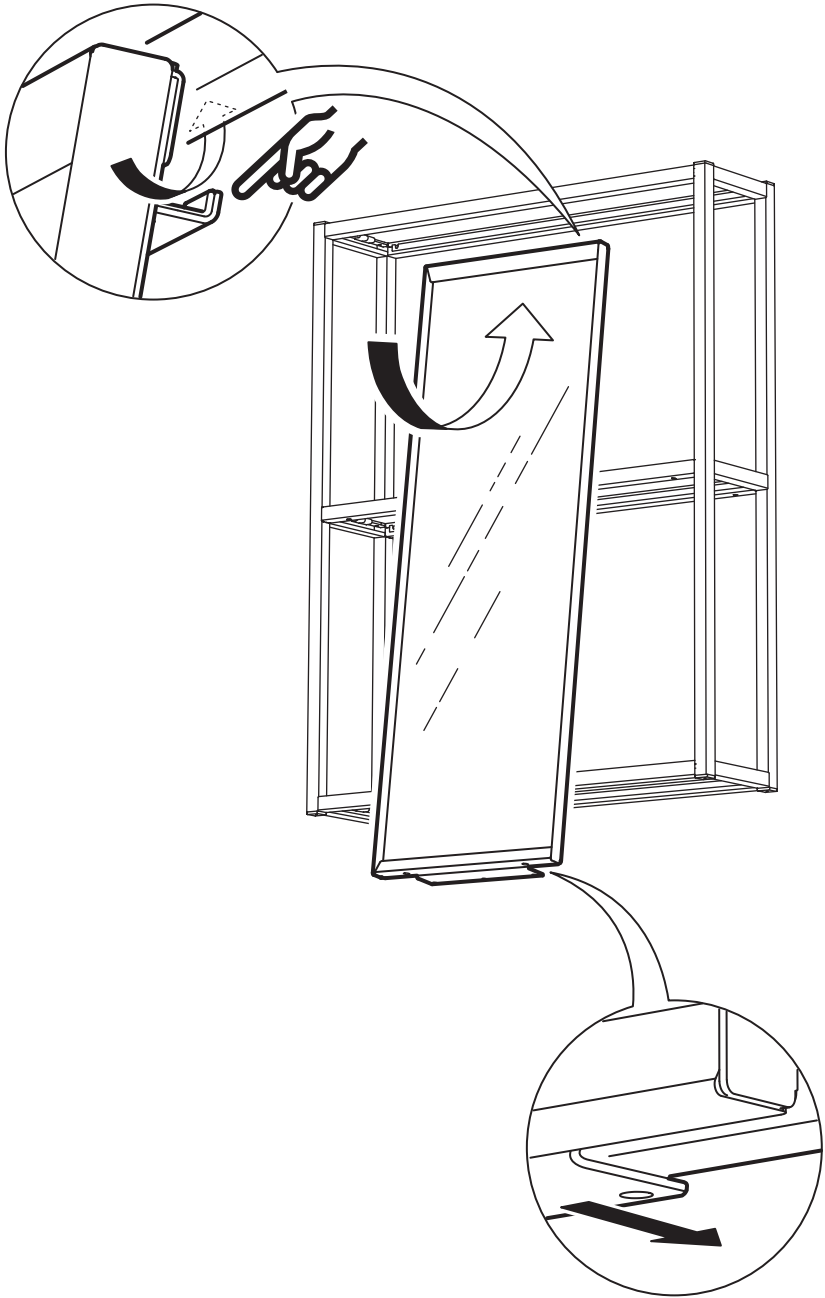
2x



4



5



6

